



150<sup>50</sup>  
mm

Axial Fan 增压型风扇

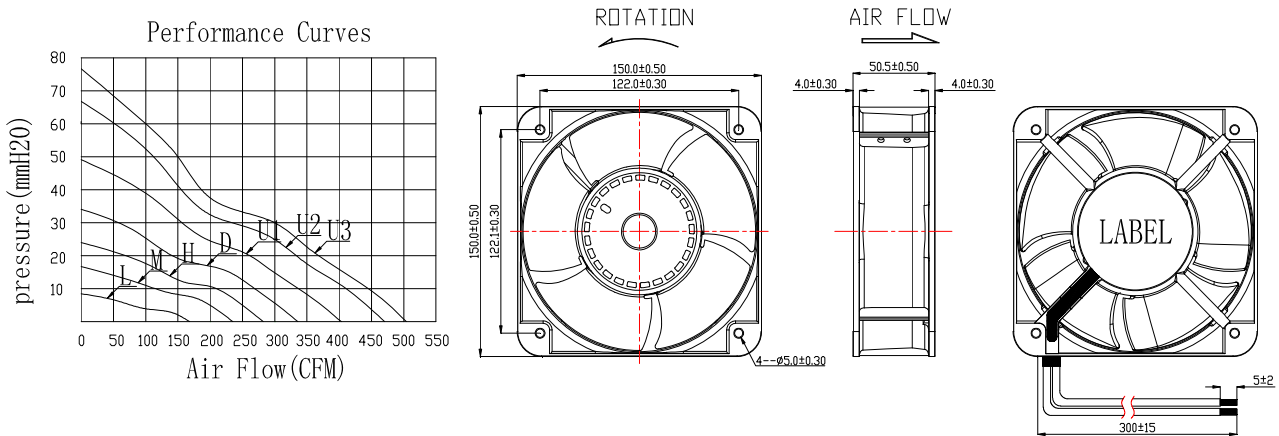


常用规格 (General Specification:)

- ◆外框 (Frame) : PBT OF UL 94V-0
- ◆扇叶 (Impeller) : PBT OF UL 94V-0
- ◆轴承型号 (Bearing Type) : Sleeve Bearing & Ball Bearing
- ◆引线 (Lead Wires) : UL Type or Equivalent (+) : Red (-) : Black
- ◆马达保护 (Motor Protection) : Reverse Polarity Protected; Automatic Restart
- ◆工作温度和湿度 (Operating Temperature and Humidity) : -10°C~70°C, 5%~90%RH
- ◆储存温度和湿度 (Storage Temperature and Humidity) : -40°C~80°C, 5%~95%RH

风扇性能曲线 (Fan Performance Curve)

尺寸 (Dimensions) (Unit:mm)



规格 (Specifications)

型号 Listed Model	额定电压 Rated Voltage	工作电压 Operating Voltage	额定电流 Rated Current	转速 Rated Speed	风量 Air Flow	风压 Static pressure	噪音 Noise Level	可选功能 Available Features (Optional)				重量 Weight
	(VDC)	(VDC)	(A)	(RPM)	(CFM)	(mmH2O)	(dBA)	转速侦测 Tachometer Output	锁机报警 Rotation Detector	温控 Thermal Control	脉冲调速 Pulse Width Modulation	g
DFB155012U	12	7.0~13.8	6.00	6,000	403.30	49.10	63.70	◆	◆	◆	◆	720
DFB155012D		7.0~13.8	4.00	5,000	336.10	34.10	59.40	◆	◆	◆	◆	
DFB155012H		7.0~13.8	3.20	4,200	282.30	24.00	55.40	◆	◆	◆	◆	
DFB155012M		7.0~13.8	2.20	3,500	235.30	16.70	51.00	◆	◆	◆	◆	
DFB155012L		7.0~13.8	1.20	2,500	168.00	8.50	43.20	◆	◆	◆	◆	
DFB155024U	24	14.0~27.6	5.00	7,000	470.50	66.80	67.30	◆	◆	◆	◆	
DFB155024D		14.0~27.6	2.50	5,000	336.10	34.10	59.40	◆	◆	◆	◆	
DFB155024H		14.0~27.6	1.60	4,200	282.30	24.00	55.40	◆	◆	◆	◆	
DFB155024M		14.0~27.6	1.20	3,500	235.30	16.70	51.00	◆	◆	◆	◆	
DFB155024L		14.0~27.6	0.60	2,500	168.00	8.50	43.20	◆	◆	◆	◆	
DFB155048U	48	28.0~56.0	3.00	7,500	504.10	76.70	68.90	◆	◆	◆	◆	
DFB155048D		28.0~56.0	1.20	5,000	336.10	34.10	59.40	◆	◆	◆	◆	
DFB155048H		28.0~56.0	0.80	4,200	282.30	24.00	55.40	◆	◆	◆	◆	
DFB155048M		28.0~56.0	0.60	3,500	235.30	16.70	51.00	◆	◆	◆	◆	
DFB155048L		28.0~56.0	0.40	2,500	168.00	8.50	43.20	◆	◆	◆	◆	

Specifications are subject to change without notice

